



Beverage selection enabled by custom designed ARM8 processor from Orchid is really something to celebrate.

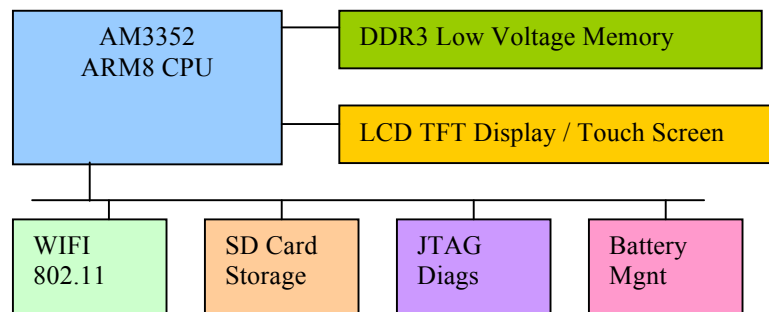
Embedded ARM8 Consumer Electronics

This miniature fully functional embedded AM3352 controller performs Linux or Android video screen displays. Mounted within an extremely thin capsule, this low cost, low power controller provides all the functions of a full sized controller. Careful power management allows extended battery life.

Embedded ARM8 with WiFi 802.11

WiFi connectivity enhances this low cost consumer computer's communications possibilities. Consumer-level beverage sales is the end application, enabled by this flexible connectivity device. Low implementation cost together with scalable performance of the AM335x processors makes this controller very flexible.

Feature-packed AM335x Implementation



Low Cost Consumer Electronics

High performance at low cost characterizes many consumer applications. When cost matters, Orchid takes extra care during the design processes to justify the use of each component in the design. Orchid performs cost-benefit analysis often achieving the lowest possible high volume production electronics costs. The design shown in the photo below contains cost-optimized circuit board design and cost optimized power system design.

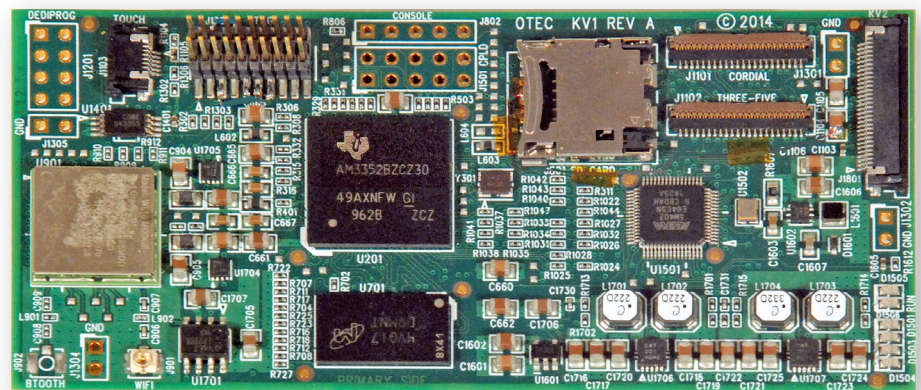
Orchid Technologies: Embedded ARM Design

The development of custom electronic products for our OEM clients is Orchid's entire business. The design of complex low power consumer electronics with rapid design cycles, demanding technical requirements, and unforgiving schedules sets us apart. Call Orchid Technologies today!



"Startup companies must race products to market. Orchid provided us with unparalleled design wisdom. They took care of us throughout the development process."

- Engineering Guy



ORCHID TECHNOLOGIES
ENGINEERING & CONSULTING, INC.

Custom Engineering From Concept to Production

147 Main Street, Maynard, MA 01754 www.orchid-tech.com 978-461-2000 fax: 978-461-2003

Copyright © 2015 Orchid Technologies Engineering & Consulting Inc., all rights reserved. OTEC and the Orchid Technologies logo are trade marks of Orchid Technologies Engineering & Consulting, Inc. All other marks are the property of their respective owners.