

Component Video Recorder Design Note #9



Eastman Kodak Company's old Video Recorder Subsystem.

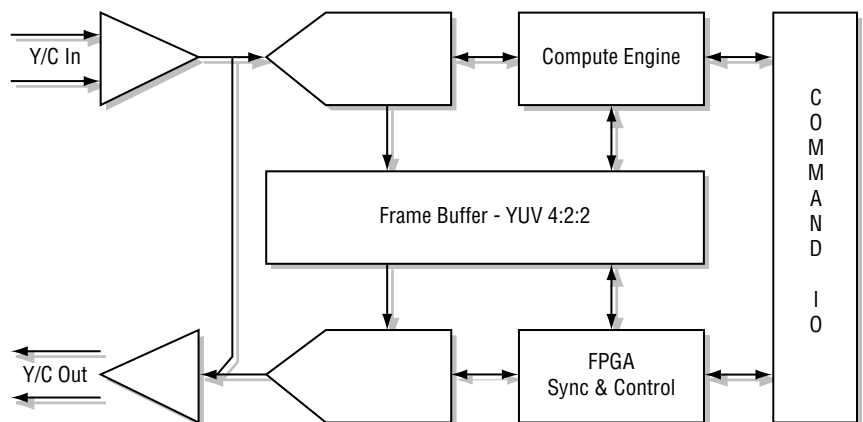
Eastman Kodak's fifteen year old component-video recorder (shown left) had been unavailable for five years. All spare parts were exhausted. Eastman Kodak, had two more years of service contracts to honor. A replacement unit had to be found! Orchid's task: Make four prototype units (like those shown in the picture below) in six weeks. Supply volume production in twelve.

Form • Fit • Function Compatible

Engineered 15 years ago, the Korean-made component video recorder served as a subsystem in Eastman Kodak's larger end-product. The old unit recorded multiple S-Video images, provided synchronized S-Video feeds and accepted an undocumented, proprietary bidirectional command / control stream.

Architecture

Drawing from its wealth of engineering knowhow, Orchid rapidly crafted a programmable component video management engine. Simultaneously, Orchid engaged in reverse engineering the subtleties of the bidirectional command / control protocols.



“Orchid listened to our needs and took up this most difficult and time-sensitive engineering challenge. We are all delighted with Orchid's engineering skill and ability to deliver quality product.”

Program Manager
Eastman Kodak Company

Success In Record Time—A Product Design Miracle

Orchid delivered working prototype units in six weeks. Video Image Quality, Software Compatibility, Mechanical Ruggedness, Manufacturability, and Serviceability were scrutinized. Orchid listened carefully to Kodak's comments. Adopting design modifications and improvements; Orchid rolled into full production.

Are you trying to put new life into aging designs? Do you need it fast? Are you experiencing obsolescence problems? Call Orchid today, we'll analyze your old product and design a new one for you too.



**ORCHID TECHNOLOGIES
ENGINEERING & CONSULTING INC.**

Custom Engineering From Concept to Production

147 Main Street, Maynard, MA 01754 www.orchid-tech.com 978-461-2000 Fax: 978-461-2003