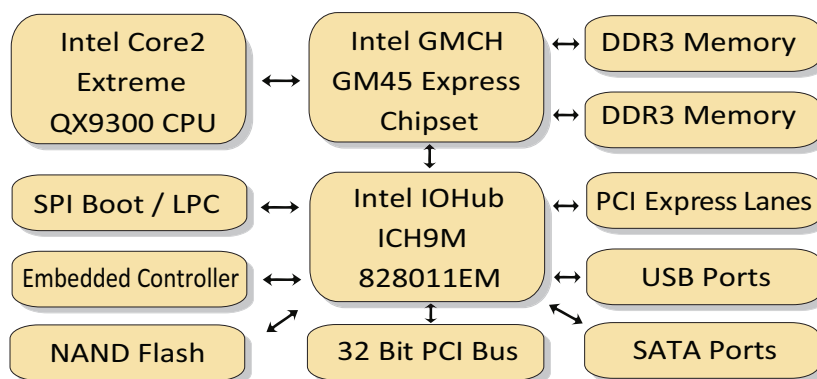




Free your imagination with state of the art computing power from Orchid Technologies.

Intel Core2 Extreme Processor QX9300 Board

Modern Intel Extreme processor board design spans a wide range of performance and power. From Atom to extreme Multicore Processors, Orchid Technologies can design a custom Intel Architecture solution to meet your specific requirements. Orchid's Core2 Extreme QX9300 Processor board is feature packed. Designed for ruggedized operation in a small air-cooled package, our QX9300 Quad Processor design is alone in its class.



Embedded Controller Design

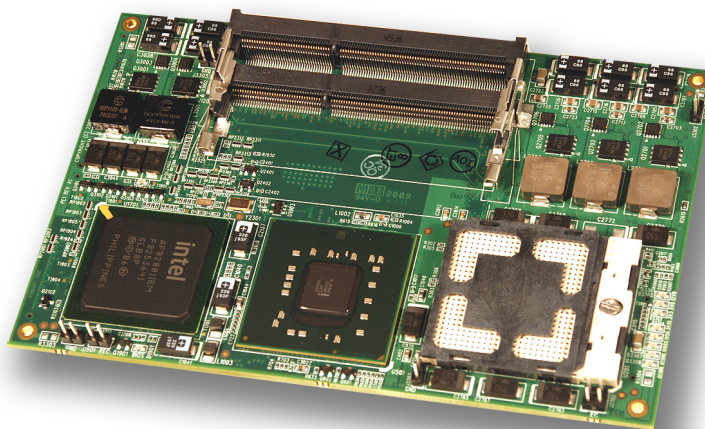
Critical to the success of any custom Intel QX9300 Extreme CPU board design is the Embedded Controller. Orchid has developed and ported numerous Embedded Controller designs. These designs, based on Renesas 2117 and Renesas 2472H8S processors offer ACPI, PS2 Keyboard, and Power Sequencing services.

Intel QX9300 Extreme BIOS Development

Intel Architecture requires BIOS software customization and porting. Orchid Technologies can customize a BIOS for your embedded application's specific needs. Working with core BIOS partners, we will port and write firmware for your specific needs.

Orchid Technologies: Extreme Customization

The development of custom electronic products for our OEM clients is Orchid's entire business. The design of high speed computer platforms with rapid design cycles, demanding technical requirements, and unforgiving schedules sets us apart. Call Orchid Technologies today!



"QX9300 Quad-core CPU with gigabytes of memory and multicore performance. Customized for our specific needs. Cool, really cool."

- Senior Project Manager



ORCHID TECHNOLOGIES
ENGINEERING & CONSULTING, INC.

Custom Engineering From Concept to Production

147 Main Street, MA 01754 www.orchid-tech.com 978-461-2000 fax:978-461-2003

Copyright © 2010 Orchid Technologies Engineering & Consulting Inc, all rights reserved. OTEC and the Orchid Technologies logo are trade makes of Orchid Technologies engineering & consulting, Inc. All other marks are the property of their respective owners.