

Broadcast Video on the World Wide Web

Design Note #4



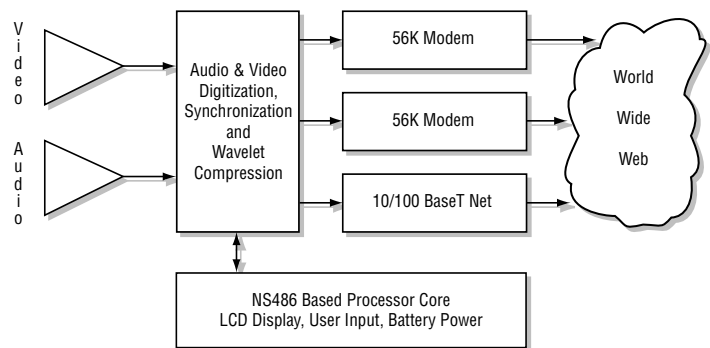
Corporate, professional, and prosumer video, audio, and imaging product designs by Orchid Technologies.

“Orchid’s responsiveness and design accuracy made it all possible. Excellent, excellent.”
Manager Video Products

Zulu Broadcasting’s trade show was five weeks away when they hired Orchid Technologies Engineering and Consulting Inc. to perform the electronic design and packaging of their revolutionary new web-casting appliance. Orchid mobilized its top engineers to solve a myriad of packaging, power, display, component density and product architectural issues.

The Architecture

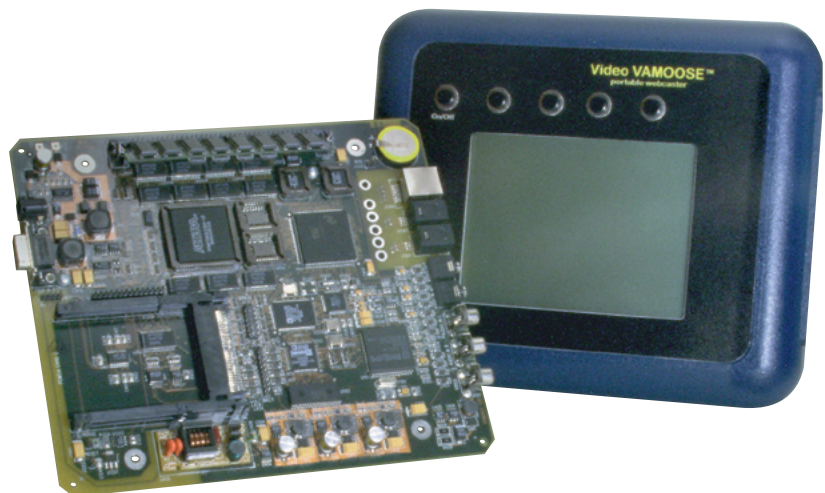
Highly compressed full frame NTSC/PAL video and a synchronized stereo audio channel using conventional 56K baud modem technology make this portable web-caster unique in its class.



Feature Rich and Ready On Time

Working night and day, Orchid successfully produced five prototype units for VIP demonstrations at the trade show. Loaded with features such as Wavelet and MPEG2 Video Compression, state-of-the-art packaging technology, modem and Ethernet capability, 10 hour battery life, this box is an eye opener!

Call Orchid today, we can produce a feature-rich, eye opener in record time for you too.



**ORCHID TECHNOLOGIES
ENGINEERING & CONSULTING INC.**

Custom Engineering From Concept to Production

147 Main Street, Maynard, MA 01754 www.orchid-tech.com 978-461-2000 Fax: 978-461-2003