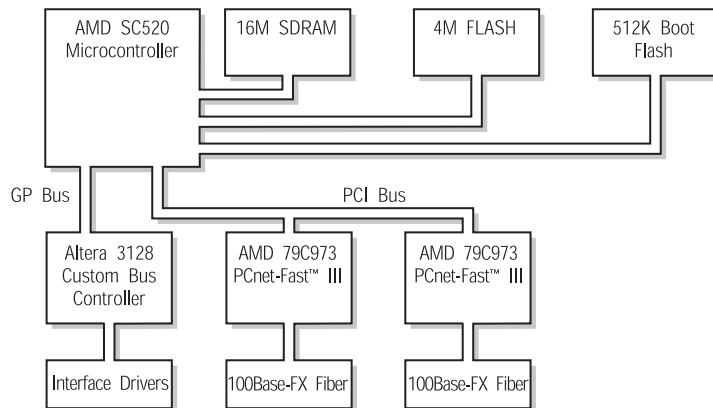


World Wide deployment of Orchid Technologies' Industrial Chemical Plant Communications Controller.

In cooperation with Compaq Computer Corporation, an industry leader of consumer and specialized computing solutions, Orchid Technologies performed the hardware and firmware design of a ruggedized, TUV safety approved industrial communications controller for use in Dow Chemical Company's world-wide chemical processing plants.

Applied Technology

Based upon technology from Advanced Micro Devices (AMD), the top-shelf SC520 controller is packed with features. Orchid Technologies selected the AMD SC520 microcontroller to power dual Am79C973 PCnet-Fast™ III Ethernet controllers configured with 100Base-FX fiber optic physical interfaces. Sixteen megabytes of SDRAM and Am29LV17D flash memory makes this board resource-packed.



General Software-Applied Technology

Embedded BIOS, Embedded DOS, with resident flash disk support results in a flexible, user-friendly firmware platform.

Orchid Technologies-Solutions

Orchid Technologies applies electronics technology to demanding requirements everyday. Call Orchid now. Let us apply our expertise to your custom design requirements too.

