

# Compact Low Power PBX Processor

# Design Note #14



“Communications Technology from Orchid has people talking.”

“You did this much faster than we could ever have completed it internally.”

*Business Manager, Dialogic Corporation*

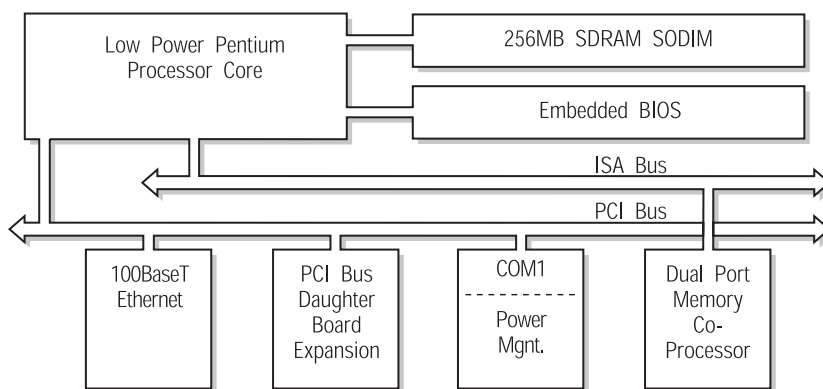
Dialogic Corporation, an Intel Corporation Subsidiary and worldwide telecommunications industry leader, engaged Orchid Technologies to perform the electronics and firmware design of their new Private Branch Exchange telecommunications motherboard, code named, ‘Orange Grove’.

## Demanding Design Constraints

Today’s software development demands fast-running hardware schedules. With a hardware design and development cycle of eight weeks, Orchid faced the task of implementing the Pentium core and its support circuitry while simultaneously accommodating two daughter boards, rotating media storage and a face plate.

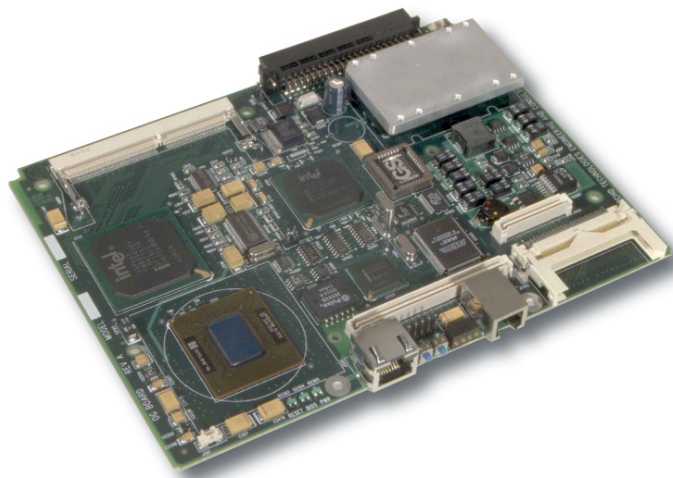
## Compact Design Packs Pentium Punch

With board area at a premium, this efficient Low Power Pentium design is implemented within a minimum of circuit board area. Add a Dual-Port Memory Protocol Co-processor, Compact Flash Disk, 100Base-T Ethernet, and Modem On-Board, this board sings.



## Embedded x86 Technology

Call Orchid today. Let us fit carrier-class embedded x86 Computer Performance into a telecommunications application for you too.



**ORCHID TECHNOLOGIES  
ENGINEERING & CONSULTING INC.**

Copyright © 2008 Orchid Technologies Engineering & Consulting Inc., all rights reserved. OTEC and the Orchid Technologies logo are trademarks of Orchid Technologies Engineering & Consulting Inc. All other marks are the property of their respective owners.

**Custom Engineering From Concept to Production**

147 Main Street, Maynard, MA 01754 [www.orchid-tech.com](http://www.orchid-tech.com) 978-461-2000 Fax: 978-461-2003