

Telecommunications and Embedded Pentium III

Design Note #13



Carrier Class Telephony keeps people talking 24/7.

“You guys did a great job.”
Comverse Contracts Manager

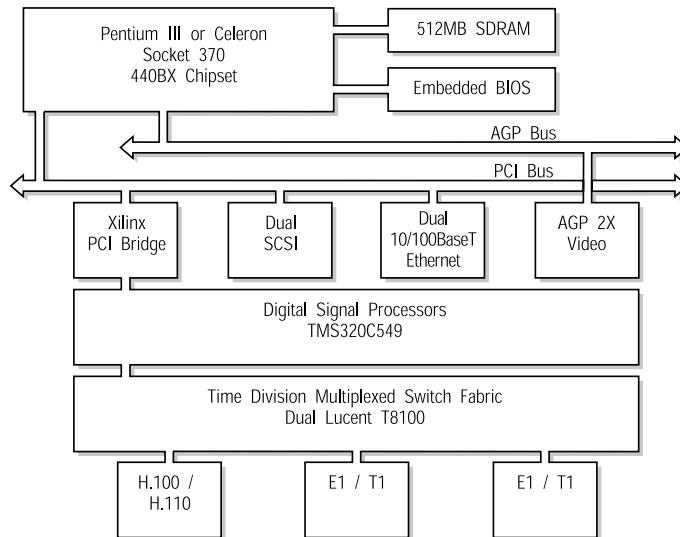
Comverse, a worldwide telecommunications leader, engaged Orchid Technologies to perform the electronics and firmware design of its flagship, high-end, telecommunications processor, the Series IV.

Telecommunications Integration

Dual T1/E1 line interfaces with H.110 bus compatibility supported by up to thirty two TMS320C549 Class Digital Signal Processors make the Series IV a Telecommunications Powerhouse.

Embedded Pentium III

Pentium III in Socket 370 together with the Intel 440BX chipset make this 100MHz front side bus computer top in its class. Add 512MB of SDRAM, Dual SCSI, Dual 100BaseT Ethernet, and AGP 2x Video makes a leading edge embedded Intel-Architecture system.



Embedded x86 Technology

Call Orchid today, let us fit carrier-class computer performance into a telecommunications application for you.



**ORCHID TECHNOLOGIES
ENGINEERING & CONSULTING INC.**

Copyright © 2008 Orchid Technologies Engineering & Consulting Inc., all rights reserved. OTEC and the Orchid Technologies logo are trademarks of Orchid Technologies Engineering & Consulting Inc. All other marks are the property of their respective owners.

Custom Engineering From Concept to Production

147 Main Street, Maynard, MA 01754 www.orchid-tech.com 978-461-2000 Fax: 978-461-2003